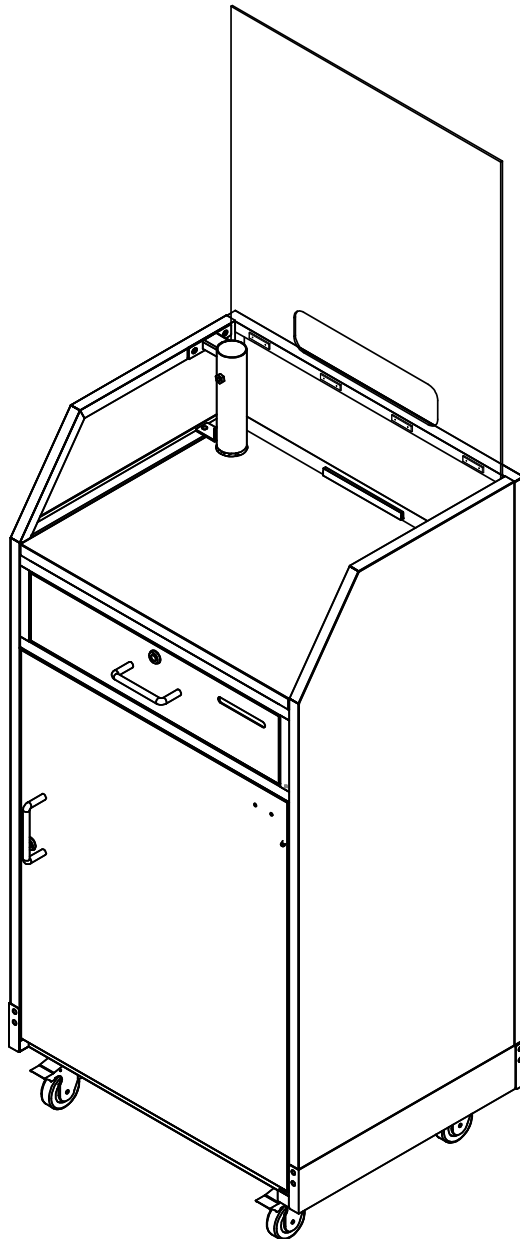


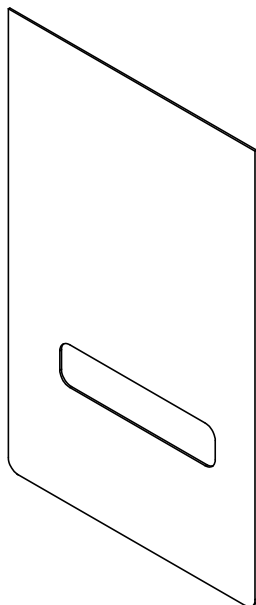


STANDARD PODIUM SNEEZE GUARD SET UP

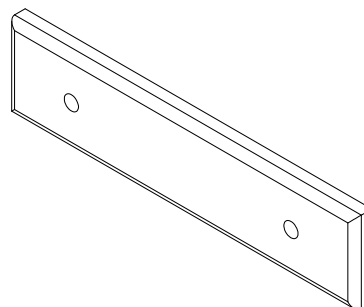


- **Read all the instructions before installing.**
- **Remove all packing materials before you start.**
- **Remove all protection films from acrylic panels.**
- **This installation requires basic mechanical skills.**
- **Proper installation is the responsibility of the installer.**
- **Product failure due to improper installation is not covered under the warranty.**
- **Keep this instruction manual.**

Sneeze Guard
QTY: 1

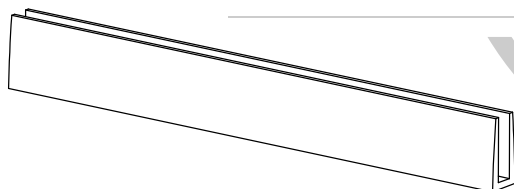


Magnet
QTY: 4



Note: Magnets come attached to Sneeze Guard

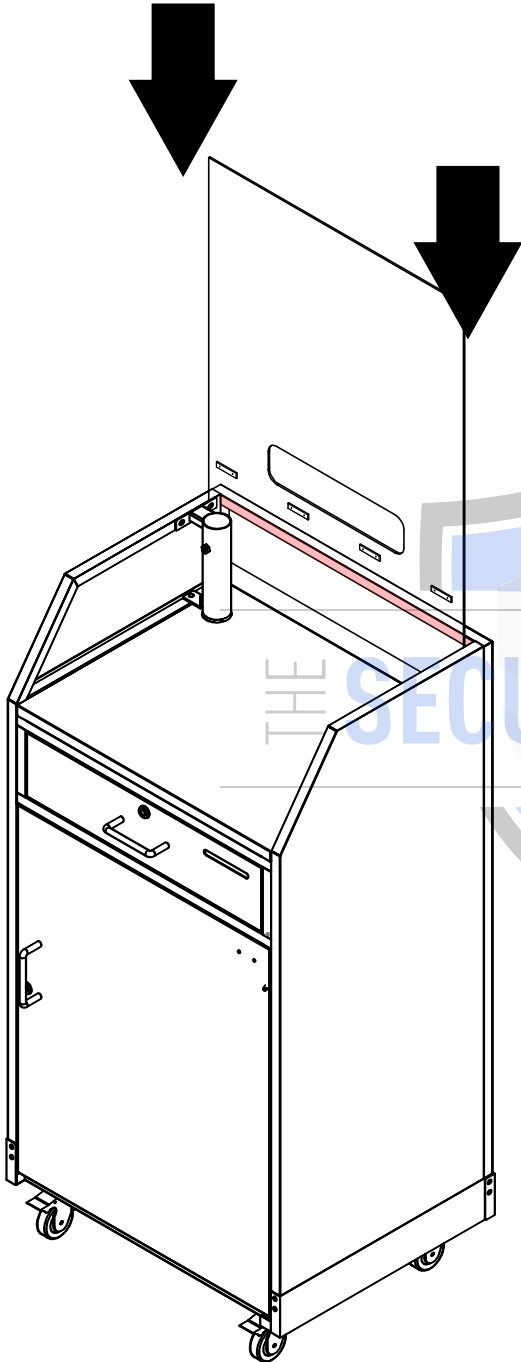
Aluminum Channel
QTY: 1



THE SECURITY STATION

Note: Parts are not to scale.

STEP 1: Install sneeze guard by sliding in from above with magnets forward. Attach magnets to the lip of the top counter (highlighted in red).



Follow next page steps if additional stability is needed

Figure 1

These steps will increase stability but the Aluminum Channel will strongly adhere to the work surface

STEP 1: Use a piece of masking tape to mark where the sneeze guard touches the working surface.

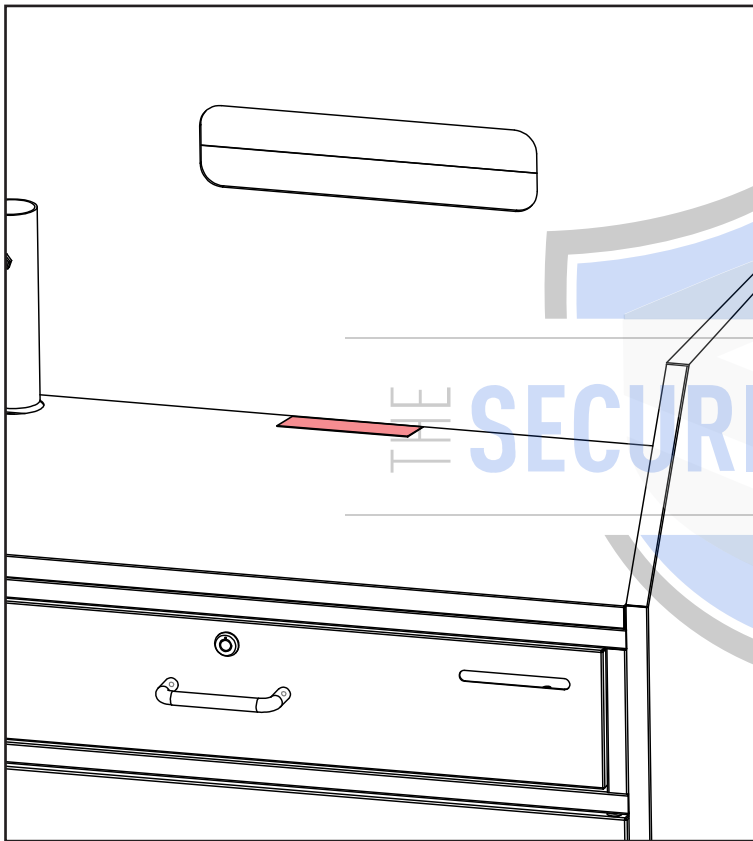


Figure 2

STEP 2: Remove sneeze guard completely.

STEP 4: Peel double sided tape on the bottom of the Aluminum Channel and adhere it to working surface. Follow the tape marking as shown below:

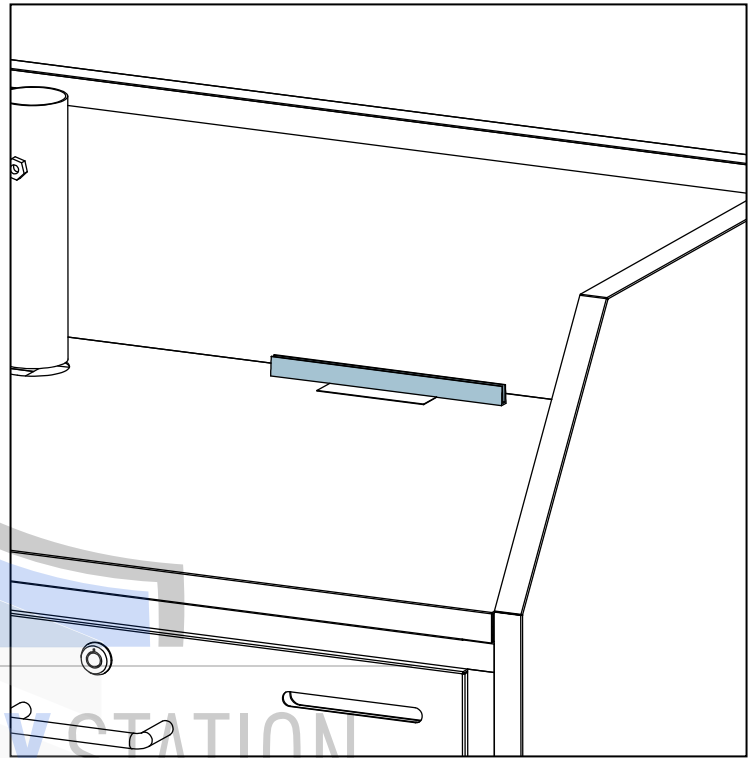


Figure 3

STEP 5: Remove tape marking.

STEP 6: Re-install sneeze guard following STEP 1 on Page 4 of this guide.

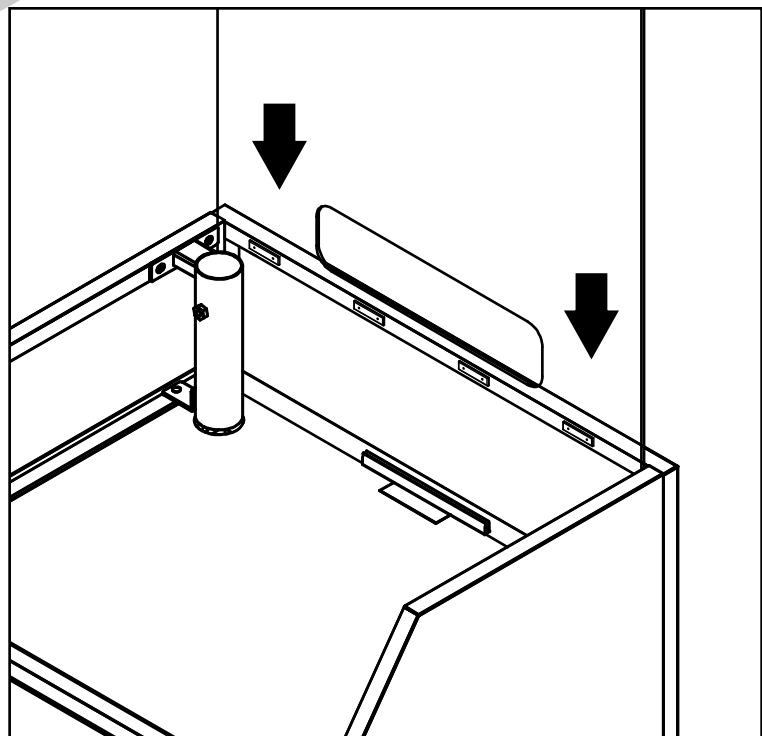


Figure 4



Contact us

Tel # 877-740-3327

Fax # 866-659-3353

E-mail: sales@thesecuritystation.com

Visit us at

www.thesecuritystation.com

